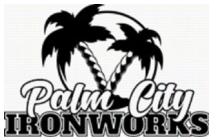


# PALM CITY IRONWORKS

## MILANO SERIES AWNING WINDOWS (IMPACT) (NON-HVHZ)



PALM CITY IRONWORKS  
3160 KUTAK RD.  
FORT MYERS, FL 33916

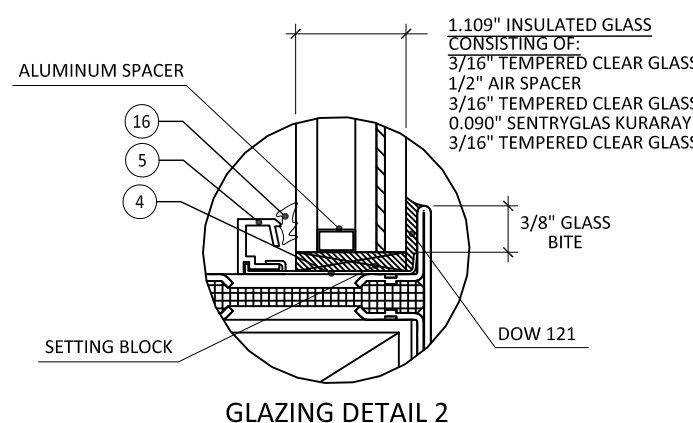
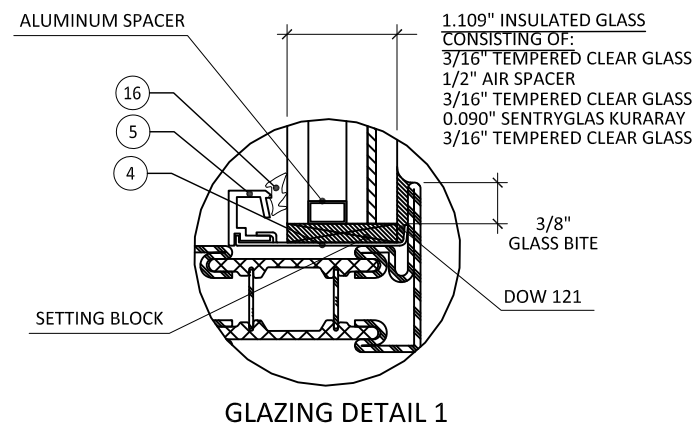
PH: (239) 691-8400 FX: (239)277-0061

**GENERAL NOTES:**

1. THE PRODUCT SHOWN HEREIN IS DESIGNED AND MANUFACTURED TO COMPLY WITH THE CURRENT EDITION FLORIDA BUILDING CODE (FBC), EXCLUDING HVHZ AND HAS BEEN EVALUATED ACCORDING TO THE FOLLOWING:
  - TAS 201-94
  - TAS 202-94
  - TAS 203-94
  - ASTM E330-02
  - ASTM E283-04
  - ASTM E331-00
  - ASTM E1886-13a
  - ASTM E1996-14a
2. ADEQUACY OF THE EXISTING STRUCTURAL CONCRETE/MASONRY, 2X WOOD & STEEL FRAMING AS A MAIN WIND FORCE RESISTING SYSTEM CAPABLE OF WITHSTANDING AND TRANSFERRING APPLIED PRODUCT LOADS TO THE FOUNDATION IS THE RESPONSIBILITY OF THE ENGINEER OR ARCHITECT OF RECORD FOR THE PROJECT OF INSTALLATION.
3. 1X AND 2X BUCKS (WHEN USED) SHALL BE DESIGNED AND ANCHORED TO PROPERLY TRANSFER ALL LOADS TO THE STRUCTURE. BUCK DESIGN AND INSTALLATION IS THE RESPONSIBILITY OF THE ENGINEER OR ARCHITECT OF RECORD FOR THE PROJECT OF INSTALLATION.
4. THE INSTALLATION DETAILS DESCRIBED HEREIN ARE GENERIC AND MAY NOT REFLECT ACTUAL CONDITIONS FOR A SPECIFIC SITE. IF SITE CONDITIONS CAUSE INSTALLATION TO DEVIATE FROM THE REQUIREMENTS DETAILED HEREIN, A LICENSED ENGINEER OR ARCHITECT SHALL PREPARE SITE SPECIFIC DOCUMENTS FOR USE WITH THIS DOCUMENT. FOR NON-HVHZ AREA, INSTALLATION TO BE REVIEWED BY AHJ (AUTHORITY HAVING JURISDICTION).
5. DEVIATION FROM THIS FLORIDA PRODUCT APPROVAL IN HVHZ AREA REQUIRES A ONE TIME APPROVAL FROM MIAMI-DADE COUNTY RER OR AHJ.
6. APPROVED IMPACT PROTECTIVE SYSTEM **IS NOT REQUIRED** ON THIS PRODUCT IN AREAS REQUIRING IMPACT RESISTANCE.
7. AWNING WINDOW MATERIAL: Q235B STEEL
8. GLASS MEETS THE REQUIREMENTS OF ASTM E 1300 GLASS CHARTS. SEE SHEET 1 FOR GLAZING DETAILS.
9. DISSIMILAR METALS INCLUDING FASTENERS THAT MAY COME INTO CONTACT WITH ALUMINUM COMPONENTS SHALL BE PROTECTED IN ACCORDANCE WITH THE CURRENT FBC REQUIREMENTS CHAPTER 20.
10. CUSTOM SIZES AVAILABLE UPON REQUEST.

TABLE OF CONTENTS		
SHEET	REVISION	SHEET DESCRIPTION
1	-	GENERAL NOTES & GLAZING DETAIL
2	-	ELEVATION & ANCHOR LAYOUT
3	-	ELEVATION
4	-	ANCHOR LAYOUT
5	-	VERTICAL SECTIONS
6	-	HORIZONTAL SECTIONS
7	-	HORIZONTAL SECTIONS
8	-	INSTALLATION DETAIL & NOTES
9	-	BILL OF MATERIALS & COMPONENTS

DESIGN PRESSURE RATING			
MAX. OVERALL FRAME SIZE		DESIGN PRESSURE	MISSILE IMPACT RATING
WIDTH	HEIGHT		
60.00"	36.00"	+80.0/-80.0 PSF	SMI/LMI
108.00"	96.00"		



- GLAZING NOTES:**
1. GLASS TYPE AND THICKNESS SHALL COMPLY WITH ASTM E1300 REQUIREMENTS AS WELL AS APPLICABLE SAFETY GLAZING REQUIREMENTS PER THE FBC. THICKNESS, TEMPER, AND SAFETY GLAZING REQUIREMENTS SHALL BE REVIEWED ON A SITE SPECIFIC BASIS.
  2. SETTING BLOCK DUROMETER HARDNESS OF 70-90 (SHORE A) AS REFERENCED IN FBC CHAPTER 24.
  3. SETTING BLOCKS TO BE LOCATED AT 1/4 SPAN LENGTH FOR GLASS WIDER THAN 36" AS PER FBC CHAPTER 24.
  4. D.L.O. AND DESIGN PRESSURES MAY NOT EXCEED MAX VALUES SHOWN HEREIN.

TITLE: MILANO SERIES AWNING WINDOWS (IMPACT) (NON-HVHZ)

GENERAL NOTES

PREPARED BY: BUILDING DROPS, INC.  
398 E. DANIA BEACH BLVD., STE. 338  
DANIA BEACH, FL 33004  
PH: (954)399-8478  
FAX: (954)744-4738  
WEB: www.buildingdrops.com

REMARKS	BY	DATE

THE INSTALLATION DETAILS DESCRIBED HEREIN ARE GENERIC AND MAY NOT REFLECT ACTUAL CONDITIONS FOR A SPECIFIC SITE. IF SITE CONDITIONS CAUSE INSTALLATION TO DEVIATE FROM THE REQUIREMENTS DETAILED HEREIN, A LICENSED ENGINEER OR ARCHITECT SHALL PREPARE SITE SPECIFIC DOCUMENTS FOR USE WITH THIS DOCUMENT

HERMES F. NORERO  
FLORIDA P. E. NO. 73778  
398 E. DANIA BEACH BLVD., STE. 338  
DANIA BEACH, FL 33004  
FBPE CERT. OF AUTHORIZATION NO. 29578

FL27075

DATE: 03.21.19

DWG. BY: JA	CHK. BY: HFN
SCALE: NTS	
DWG. #: PCI010	
SHEET: 1 OF 9	

4/22/2019 4:26 PM  
s:\projects\palmcity\_ironworks, inc\fb-c-19-0247-2-fbc-submittal-f16749-f127071-f127072-f127073-f127074-f127075.dwg\1127075 milano series awning window.pci010.dwg



PALM CITY IRONWORKS  
3160 KUTAK RD.  
FORT MYERS, FL 33916

PH: (239) 691-8400 FX: (239)277-0061

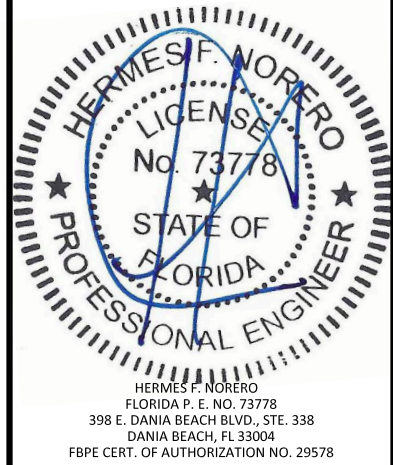
TITLE: MILANO SERIES  
AWNING WINDOWS  
(IMPACT) (NON-HVHZ)  
ELEVATION & ANCHOR LAYOUT

PREPARED BY:  
BUILDING DROPS, INC.  
398 E. DANIA BEACH BLVD., STE. 338  
DANIA BEACH, FL 33004  
PH: (954)399-8478  
FAX: (954)744-4738  
WEB: www.buildingdrops.com



REMARKS	BY	DATE

THE INSTALLATION DETAILS DESCRIBED HEREIN ARE GENERIC AND MAY NOT REFLECT ACTUAL CONDITIONS FOR A SPECIFIC SITE. IF SITE CONDITIONS CAUSE INSTALLATION TO DEVIATE FROM THE REQUIREMENTS DETAILED HEREIN, A LICENSED ENGINEER OR ARCHITECT SHALL PREPARE SITE SPECIFIC DOCUMENTS FOR USE WITH THIS DOCUMENT



**FL27075**

DATE: 03.21.19

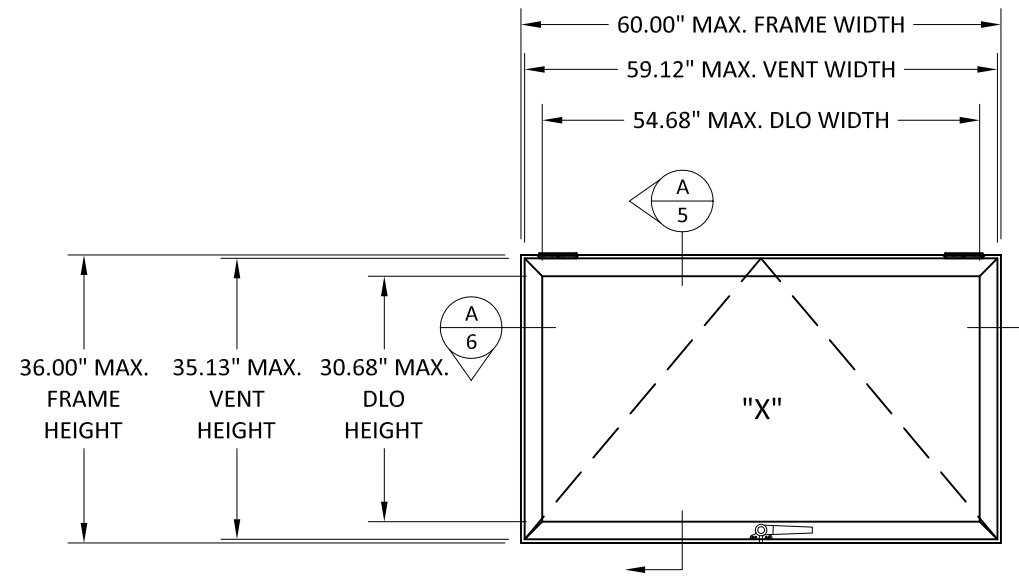
DWG. BY: JA      CHK. BY: HFN

SCALE: NTS

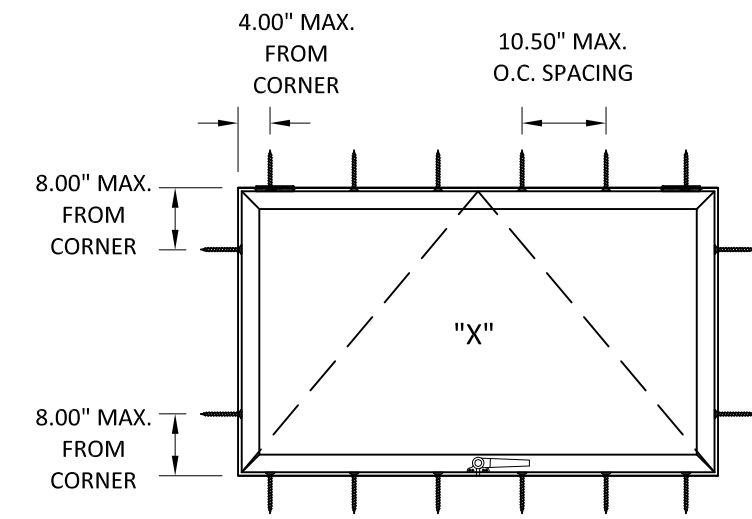
DWG. #: PCI010

SHEET: 2

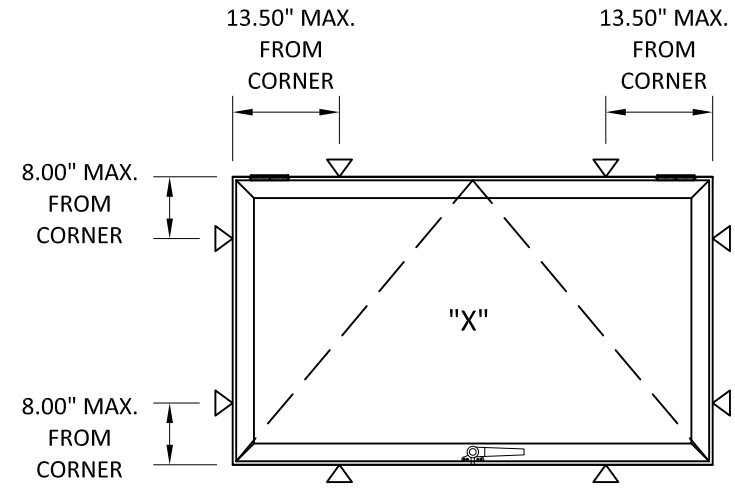
OF 9




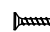
ELEVATION  
EXTERIOR VIEW

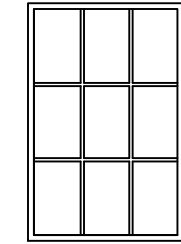


TYPICAL ANCHOR LAYOUT  
THROUGH FRAME



TYPICAL ANCHOR LAYOUT  
THROUGH BRACKET

-  THROUGH BRACKET ANCHORS
-  THROUGH FRAME ANCHORS



SIMULATED DIVIDED LITE  
ALSO QUALIFIED


4/22/2019 4:26 PM s:\projects\palmcity ironworks, inc\fbc-19-0247-2 - fbc-submittal - fl27075.dwg\fl27075 milano series awning window.pcd10.dwg



PALM CITY IRONWORKS  
3160 KUTAK RD.  
FORT MYERS, FL 33916

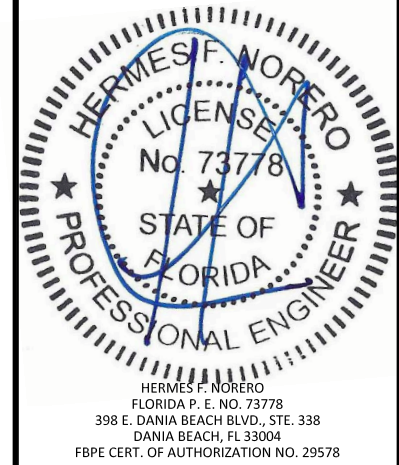
PH: (239) 691-8400 FX: (239)277-0061

TITLE: MILANO SERIES  
AWNING WINDOWS  
(IMPACT) (NON-HVHZ)  
ELEVATION & ANCHOR LAYOUT

PREPARED BY:  
  
BUILDING DROPS, INC.  
398 E. DANIA BEACH BLVD., STE. 338  
DANIA BEACH, FL 33004  
PH: (954)399-8478  
FAX: (954)744-4738  
WEB: www.buildingdrops.com

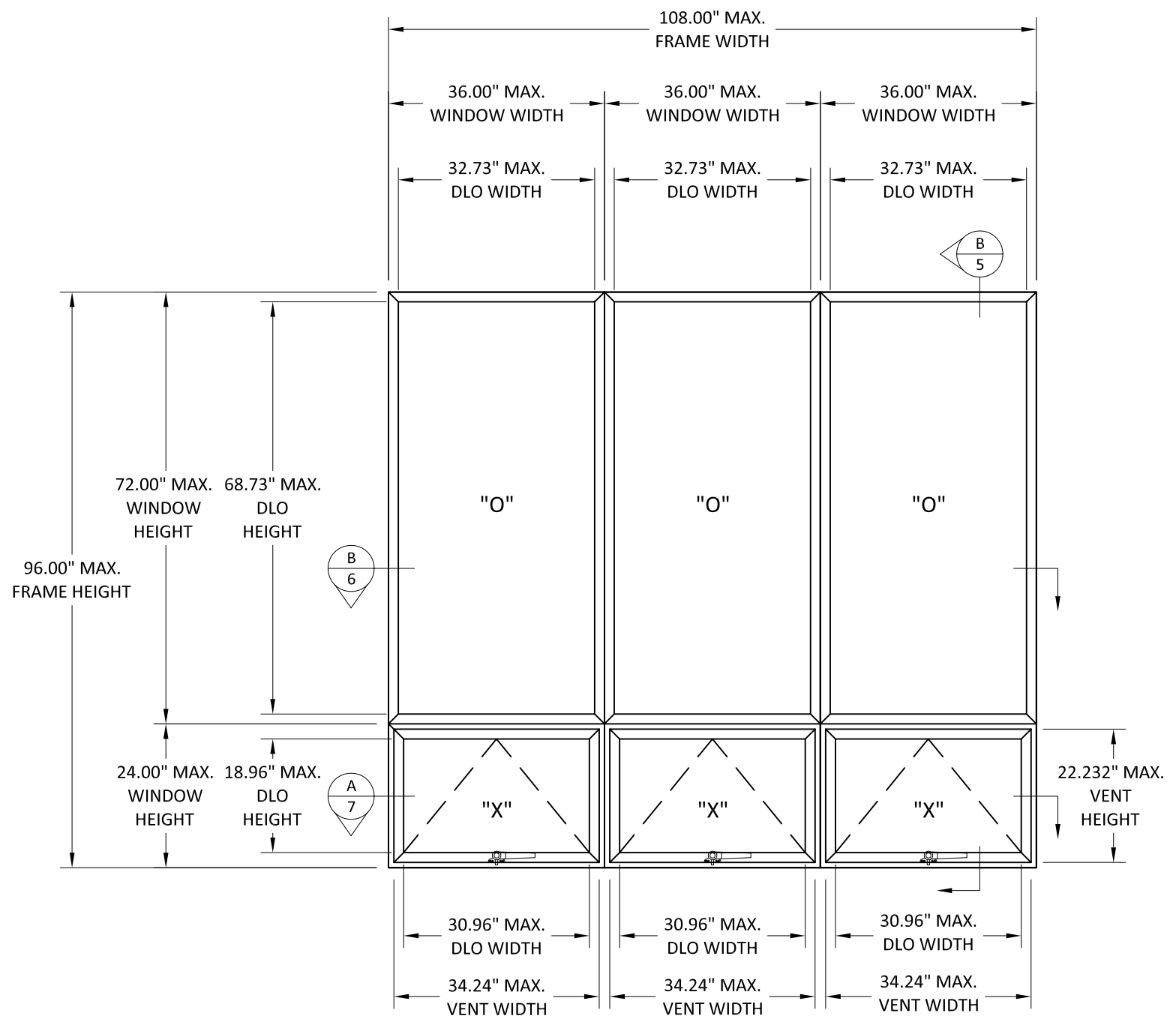
REMARKS	BY	DATE

THE INSTALLATION DETAILS DESCRIBED HEREIN ARE GENERIC AND MAY NOT REFLECT ACTUAL CONDITIONS FOR A SPECIFIC SITE. IF SITE CONDITIONS CAUSE INSTALLATION TO DEVIATE FROM THE REQUIREMENTS DETAILED HEREIN, A LICENSED ENGINEER OR ARCHITECT SHALL PREPARE SITE SPECIFIC DOCUMENTS FOR USE WITH THIS DOCUMENT

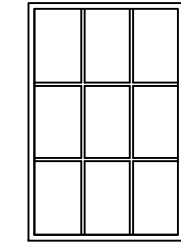


**FL27075**

DATE:	03.21.19
DWG. BY:	JA
CHK. BY:	HFN
SCALE:	NTS
DWG. #:	PCI010
SHEET:	3



ELEVATION  
EXTERIOR VIEW



SIMULATED DIVIDED LITE  
ALSO QUALIFIED

4/22/2019 4:26 PM s:\projects\palmcity\_ironworks, inc\fbc-19-0247-2 - fbc-submittal - fl27075.dwg s:\projects\palmcity\_ironworks, inc\fbc-19-0247-2 - fbc-submittal - fl27075.dwg s:\projects\palmcity\_ironworks, inc\fbc-19-0247-2 - fbc-submittal - fl27075.dwg s:\projects\palmcity\_ironworks, inc\fbc-19-0247-2 - fbc-submittal - fl27075.dwg s:\projects\palmcity\_ironworks, inc\fbc-19-0247-2 - fbc-submittal - fl27075.dwg



PALM CITY IRONWORKS  
3160 KUTAK RD.  
FORT MYERS, FL 33916

PH: (239) 691-8400 FX: (239)277-0061

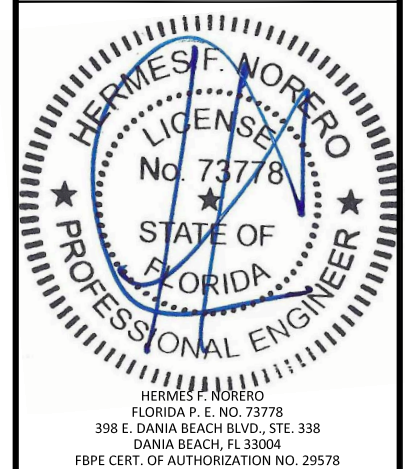
TITLE: MILANO SERIES  
AWNING WINDOWS  
(IMPACT) (NON-HVHZ)  
ELEVATION & ANCHOR LAYOUT

PREPARED BY:  
BUILDING DROPS, INC.  
398 E. DANIA BEACH BLVD., STE. 338  
DANIA BEACH, FL 33004  
PH: (954)399-8478  
FAX: (954)744-4738  
WEB: www.buildingdrops.com



REMARKS	BY	DATE

THE INSTALLATION DETAILS DESCRIBED HEREIN ARE GENERIC AND MAY NOT REFLECT ACTUAL CONDITIONS FOR A SPECIFIC SITE. IF SITE CONDITIONS CAUSE INSTALLATION TO DEVIATE FROM THE REQUIREMENTS DETAILED HEREIN, A LICENSED ENGINEER OR ARCHITECT SHALL PREPARE SITE SPECIFIC DOCUMENTS FOR USE WITH THIS DOCUMENT



FL27075

DATE: 03.21.19

DWG. BY: JA      CHK. BY: HFN

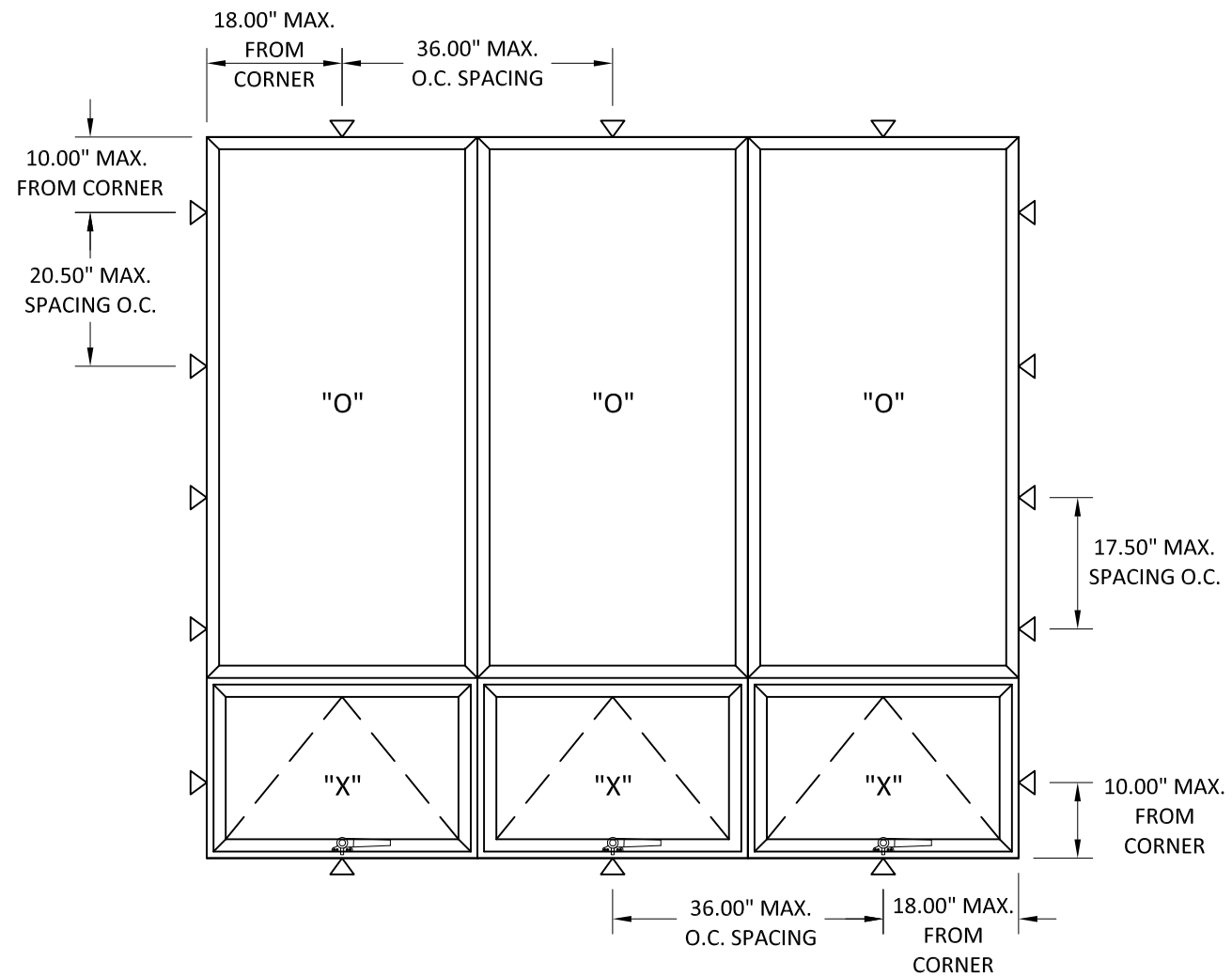
SCALE: NTS

DWG. #: PCI010

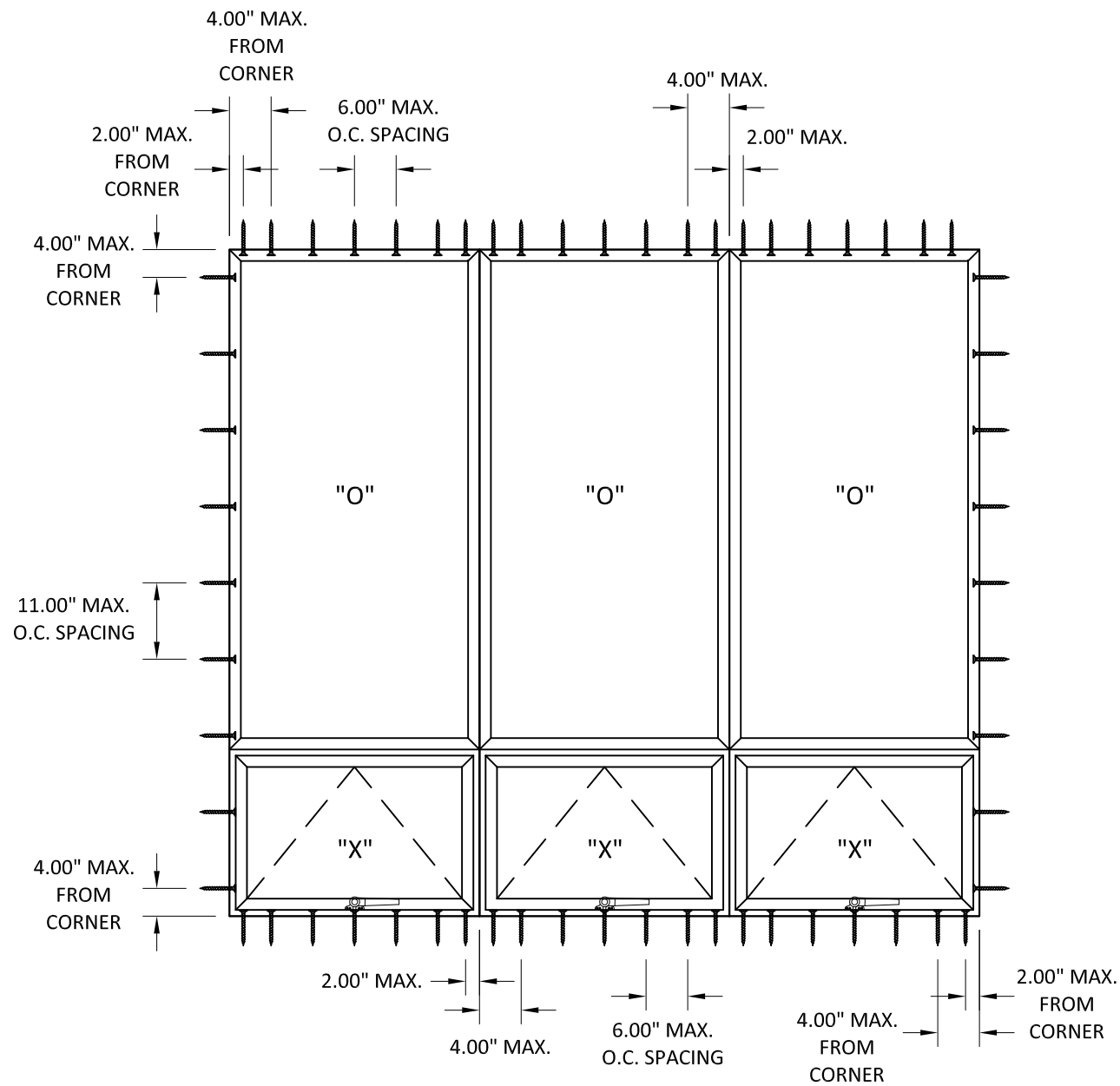
SHEET:

4


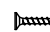
OF 9



TYPICAL ANCHOR LAYOUT  
THROUGH BRACKET

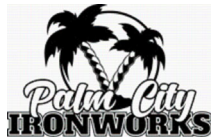


TYPICAL ANCHOR LAYOUT  
THROUGH FRAME

-  THROUGH BRACKET ANCHORS
-  THROUGH FRAME ANCHORS

s:\projects\palmcity\_ironworks,inc\fbc-19-0247-2-fbc-submittal-f116749, f127071, f127072, f127073, f127074, f127075, f127075.dwg\1127075 milano series awning window.pci010.dwg 4/22/2019 4:26 PM






PALM CITY IRONWORKS  
3160 KUTAK RD.  
FORT MYERS, FL 33916

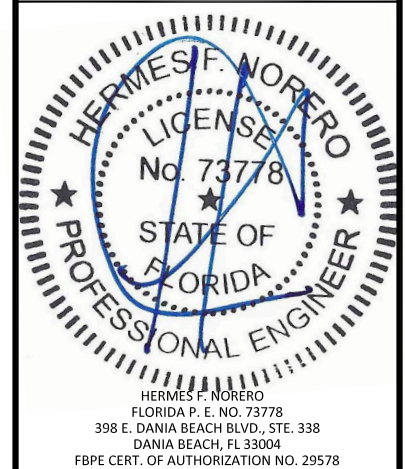
PH: (239) 691-8400 FX: (239) 277-0061

TITLE: MILANO SERIES  
AWNING WINDOWS  
(IMPACT) (NON-HVHZ)  
VERTICAL SECTIONS

PREPARED BY:  
  
BUILDING DROPS, INC.  
398 E. DANIA BEACH BLVD., STE. 338  
DANIA BEACH, FL 33004  
PH: (954) 399-8478  
FAX: (954) 744-4738  
WEB: www.buildingdrops.com

REMARKS	BY	DATE

THE INSTALLATION DETAILS DESCRIBED HEREIN ARE GENERIC AND MAY NOT REFLECT ACTUAL CONDITIONS FOR A SPECIFIC SITE. IF SITE CONDITIONS CAUSE INSTALLATION TO DEVIATE FROM THE REQUIREMENTS DETAILED HEREIN, A LICENSED ENGINEER OR ARCHITECT SHALL PREPARE SITE SPECIFIC DOCUMENTS FOR USE WITH THIS DOCUMENT



**FL27075**

DATE: 03.21.19

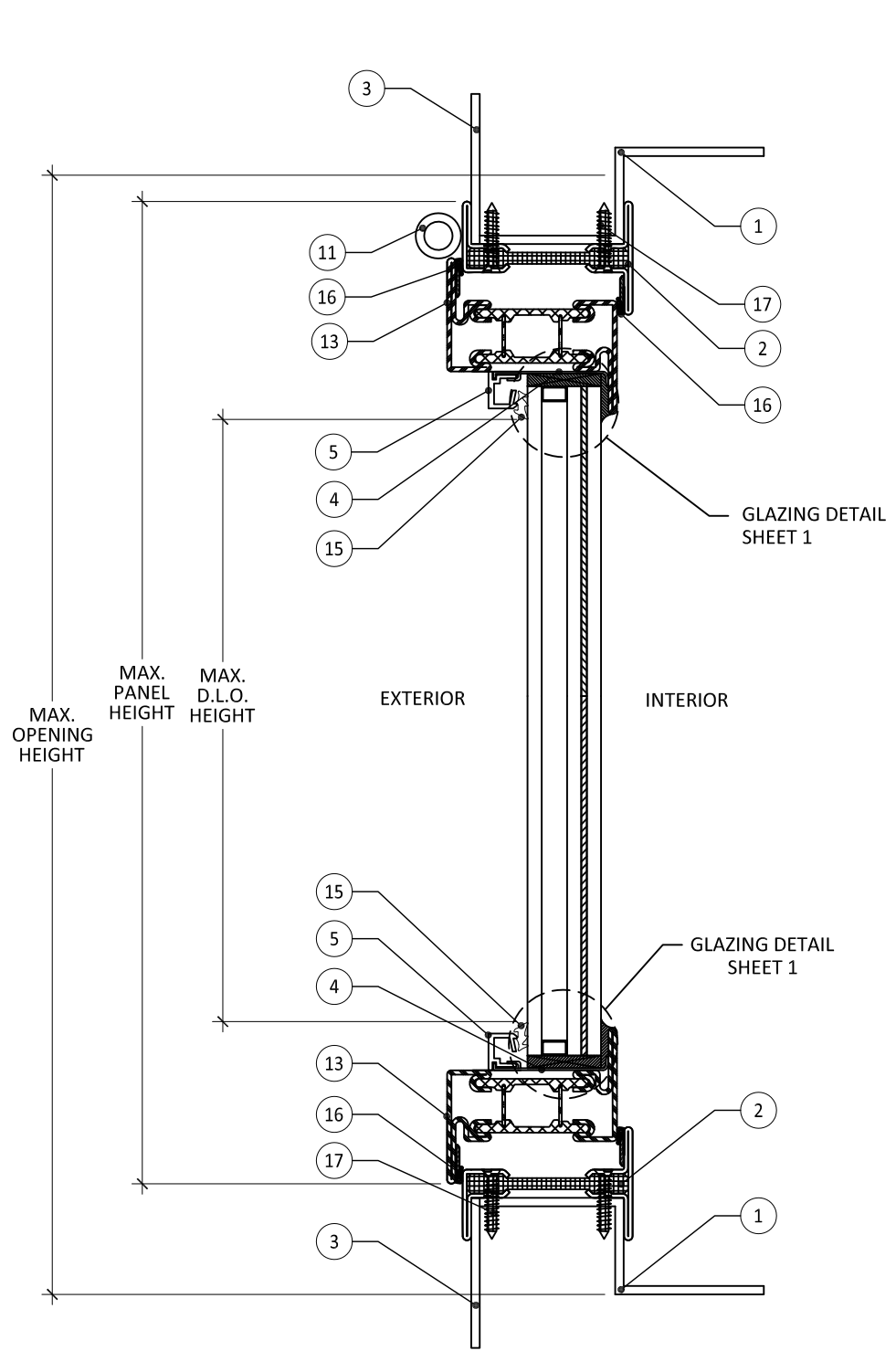
DWG. BY: JA      CHK. BY: HFN

SCALE: NTS

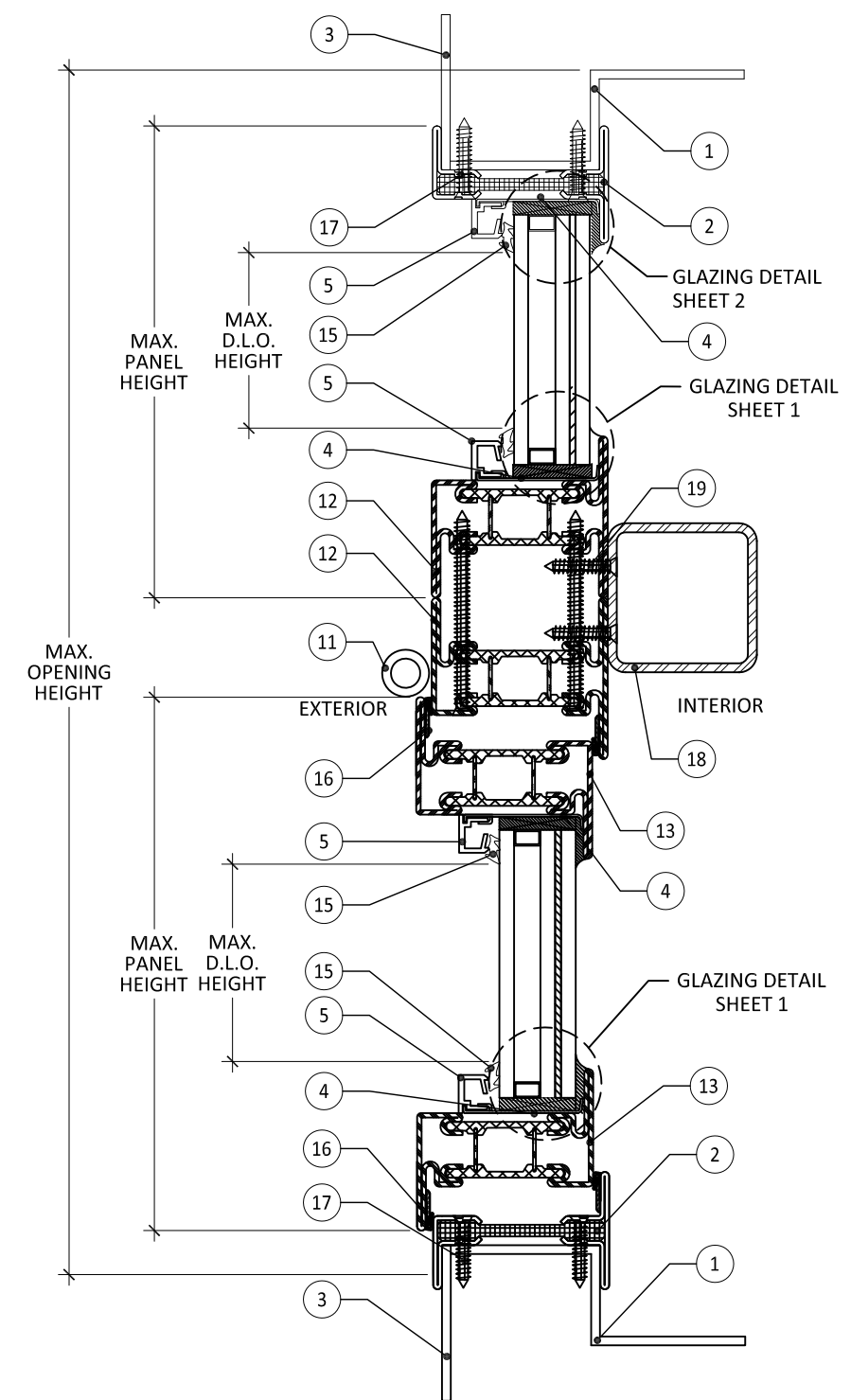
DWG. #: PCI010

SHEET:  
**5**

OF 9

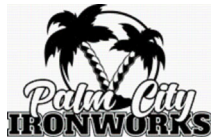


**A**  
**5**      **VERTICAL SECTION**



**B**  
**5**      **VERTICAL SECTION**


4/22/2019 4:27 PM s:\projects\palmcity\ironworks,inc\fb-19-0247-2-fbc-submittal-f16749-f127071-f127072-f127073-f127074-f127075\dwgs\1127075 milano series awning window\pci010.dwg



PALM CITY IRONWORKS  
3160 KUTAK RD.  
FORT MYERS, FL 33916

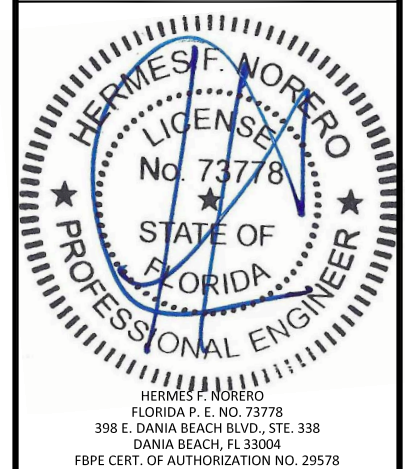
PH: (239) 691-8400 FX: (239)277-0061

TITLE: MILANO SERIES  
AWNING WINDOWS  
(IMPACT) (NON-HVHZ)  
HORIZONTAL SECTIONS

PREPARED BY:  
  
BUILDING DROPS, INC.  
398 E. DANIA BEACH BLVD., STE. 338  
DANIA BEACH, FL 33004  
PH: (954)399-8478  
FAX: (954)744-4738  
WEB: www.buildingdrops.com

REMARKS	BY	DATE

THE INSTALLATION DETAILS DESCRIBED HEREIN ARE GENERIC AND MAY NOT REFLECT ACTUAL CONDITIONS FOR A SPECIFIC SITE. IF SITE CONDITIONS CAUSE INSTALLATION TO DEVIATE FROM THE REQUIREMENTS DETAILED HEREIN, A LICENSED ENGINEER OR ARCHITECT SHALL PREPARE SITE SPECIFIC DOCUMENTS FOR USE WITH THIS DOCUMENT



HERMES F. NORERO  
FLORIDA P. E. NO. 73778  
398 E. DANIA BEACH BLVD., STE. 338  
DANIA BEACH, FL 33004  
FBPE CERT. OF AUTHORIZATION NO. 29578

**FL27075**

DATE: 03.21.19

DWG. BY: JA      CHK. BY: HFN

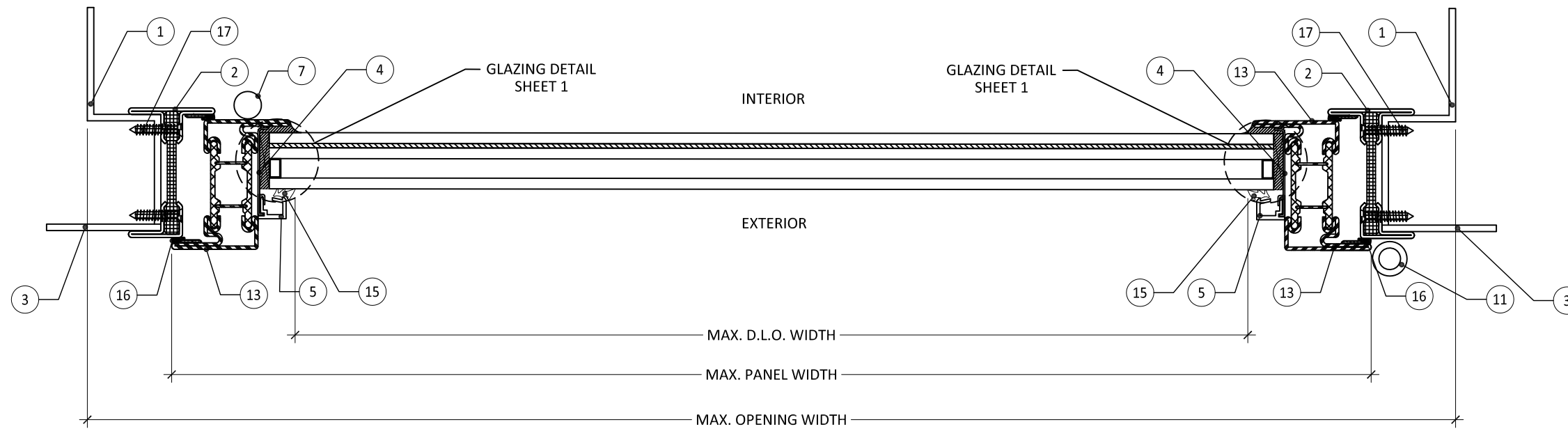
SCALE: NTS

DWG. #: PCI010

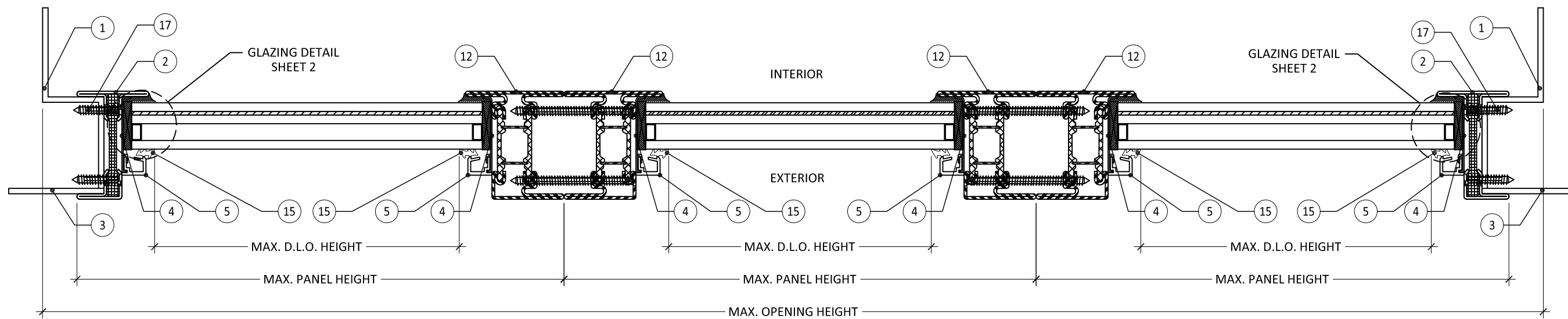
SHEET:

6

OF 9



**A HORIZONTAL SECTION**  
**6**



**B HORIZONTAL SECTION**  
**6**


s:\projects\palmcity\_ironworks, inc\fb-19-0247.2 - fb- submittal - fl16749, fl27071, fl27072, fl27073, fl27074, fl27075, dwgs\fl27075 milano series awning window.pci010.dwg 4/22/2019 4:27 PM



PALM CITY IRONWORKS  
3160 KUTAK RD.  
FORT MYERS, FL 33916

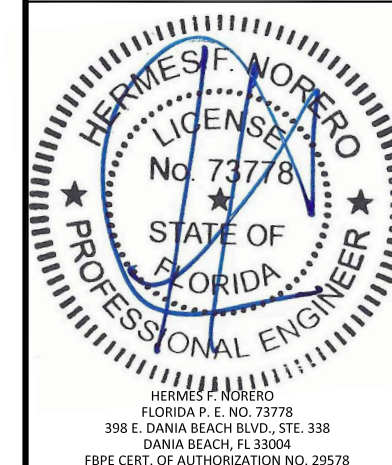
PH: (239) 691-8400 FX: (239)277-0061

TITLE: MILANO SERIES  
AWNING WINDOWS  
(IMPACT) (NON-HVHZ)  
HORIZONTAL SECTIONS

PREPARED BY:  
  
BUILDING DROPS, INC.  
398 E. DANIA BEACH BLVD., STE. 338  
DANIA BEACH, FL 33004  
PH: (954)399-8478  
FAX: (954)744-4738  
WEB: www.buildingdrops.com

REMARKS	BY	DATE

THE INSTALLATION DETAILS DESCRIBED HEREIN ARE GENERIC AND MAY NOT REFLECT ACTUAL CONDITIONS FOR A SPECIFIC SITE. IF SITE CONDITIONS CAUSE INSTALLATION TO DEVIATE FROM THE REQUIREMENTS DETAILED HEREIN, A LICENSED ENGINEER OR ARCHITECT SHALL PREPARE SITE SPECIFIC DOCUMENTS FOR USE WITH THIS DOCUMENT



**FL27075**

DATE: 03.21.19

DWG. BY: JA

CHK. BY: HFN

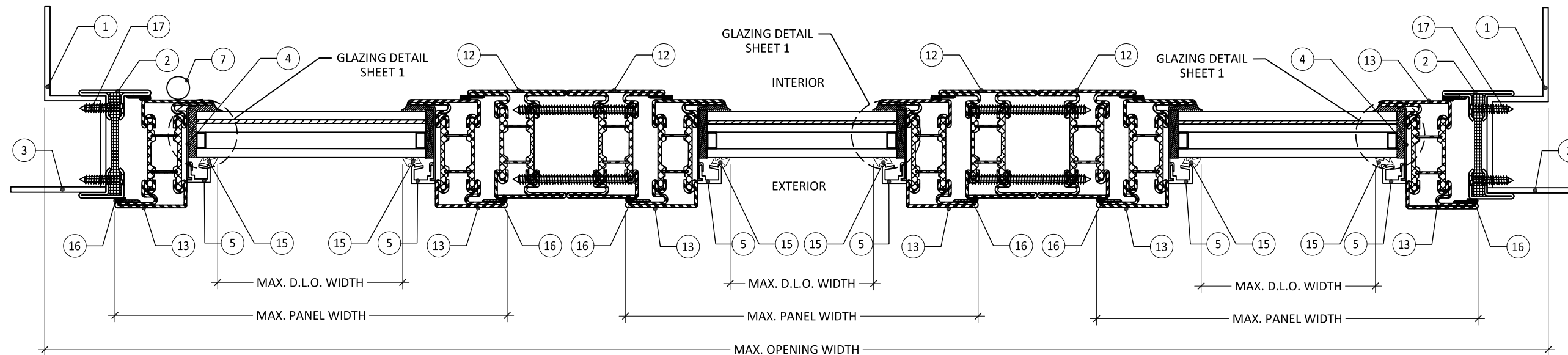
SCALE: NTS

DWG. #: PCI010

SHEET:

7

OF 9



**A**  
**7** HORIZONTAL SECTION

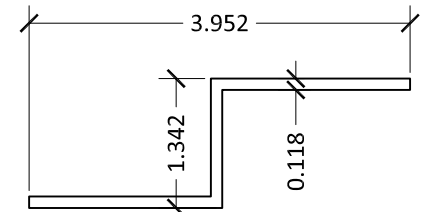




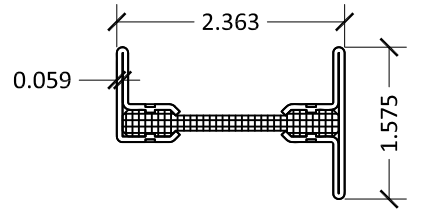


**BILL OF MATERIALS**

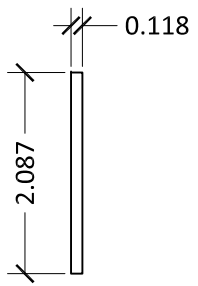
ITEM	PART No.	DESCRIPTION	MATERIAL	MANUFACTURER
1	-	BRACKET	Q235B STEEL	XIAMEN JINZHIXING INDUSTRIAL CO., LTD
2	605.610Z	FRAME JAMB	Q235B STEEL + FIBER INSULATION	JANSEN AG
3	-	FIN	Q235B STEEL	XIAMEN JINZHIXING INDUSTRIAL CO., LTD
4	CP43	CLIP FOR GLAZING BEAD	ALUMINUM 160 MPA MIN. TENSILE STRENGTH	MONTANSTAHL AG
5	CTF13	GLAZING BEAD	ALUMINUM 160 MPA MIN. TENSILE STRENGTH	FUJIAN MINFA ALUMINUM INC.
6	-	-	-	-
7	CX36220	SURFACE BOLT	Q235B STEEL	XIAMEN JINZHIXING INDUSTRIAL CO., LTD
-	-	-	-	-
9	601.615 Z	DOUBLE DOOR STILE	Q235B STEEL + FIBER INSULATION	JANSEN AG
10	-	-	-	-
11	PJ013	Ø 0.7" X 4.7" HINGE	Q235B STEEL	XIAMEN JINZHIXING INDUSTRIAL CO., LTD
12	605.615Z	MULLION	Q235B STEEL + FIBER INSULATION	JANSEN AG
13	603.615Z	DOOR STILE	Q235B STEEL + FIBER INSULATION	JANSEN AG
14	B195N09F	STRAIGHT CLASSIC HANDLE	-	STEEL WINDOW FITTINGS
15	900.012	FRONT GASKET	EPDM RUBBERS	MONTANSTAHL AG
16	455.047	WEATHER STRIP	EPDM RUBBERS	JANSEN AG
17	LS267	#10 x1" SMS @ 32" O.C.	Q235B STEEL	XIAMEN JINZHIXING INDUSTRIAL CO., LTD
18	-	2" X 2" X 1/8" TUBE	Q235B STEEL	-
19	-	5/16" x 3/4" SMS @ 32" O.C.	Q235B STEEL	XIAMEN JINZHIXING INDUSTRIAL CO., LTD



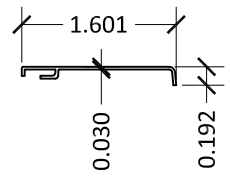
1 BRACKET



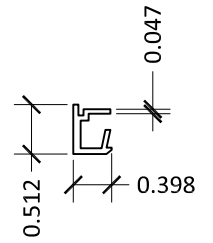
2 FRAME JAMB



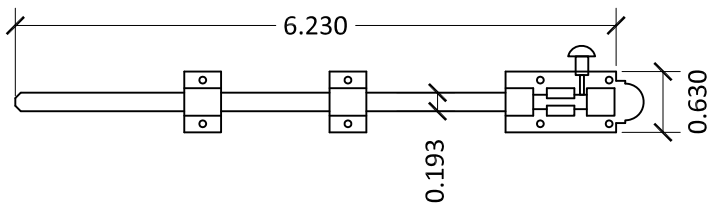
3 FIN



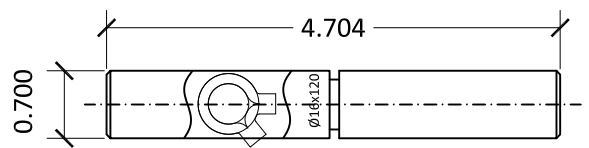
4 CLIP FOR GLAZING BEAD



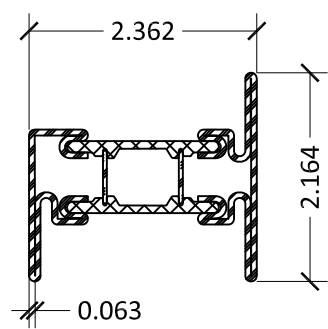
5 GLAZING BEAD



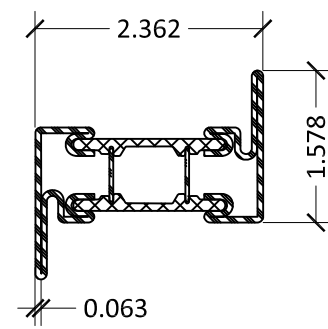
7 SURFACE BOLT



11 Ø 0.7" X 4.7" HINGE



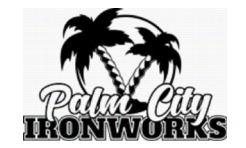
12 MULLION



13 DOOR STILE



14 STRAIGHT CLASSIC HANDLE



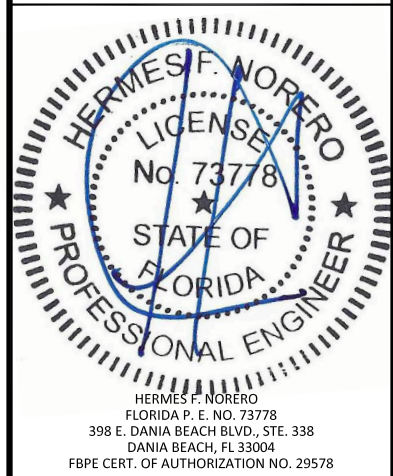
**Palm City IRONWORKS**  
 PALM CITY IRONWORKS  
 3160 KUTAK RD.  
 FORT MYERS, FL 33916  
 PH: (239) 691-8400 FX: (239)277-0061

TITLE: MILANO SERIES  
 AWNING WINDOWS  
 (IMPACT) (NON-HVHZ)  
 BILL OF MATERIALS &  
 COMPONENTS

PREPARED BY: BUILDING DROPS, INC.  
 398 E. DANIA BEACH BLVD., STE. 338  
 DANIA BEACH, FL 33004  
 PH: (954)399-8478  
 FAX: (954)744-4738  
 WEB: www.buildingdrops.com

REMARKS	BY	DATE

THE INSTALLATION DETAILS DESCRIBED HEREIN ARE GENERIC AND MAY NOT REFLECT ACTUAL CONDITIONS FOR A SPECIFIC SITE. IF SITE CONDITIONS CAUSE INSTALLATION TO DEVIATE FROM THE REQUIREMENTS DETAILED HEREIN, A LICENSED ENGINEER OR ARCHITECT SHALL PREPARE SITE SPECIFIC DOCUMENTS FOR USE WITH THIS DOCUMENT



**FL27075**

DATE: 03.21.19

DWG. BY: JA      CHK. BY: HFN

SCALE: NTS

DWG. #: PCI010

SHEET:

9

OF 9

4/22/2019 4:27 PM s:\projects\palmcity\_ironworks, inc\fb-c-19-0247-2 - fbc-submittal - fl16749, fl27071, fl27072, fl27073, fl27074, fl27075.dwg\11 27075 milano series awning window.pci010.dwg